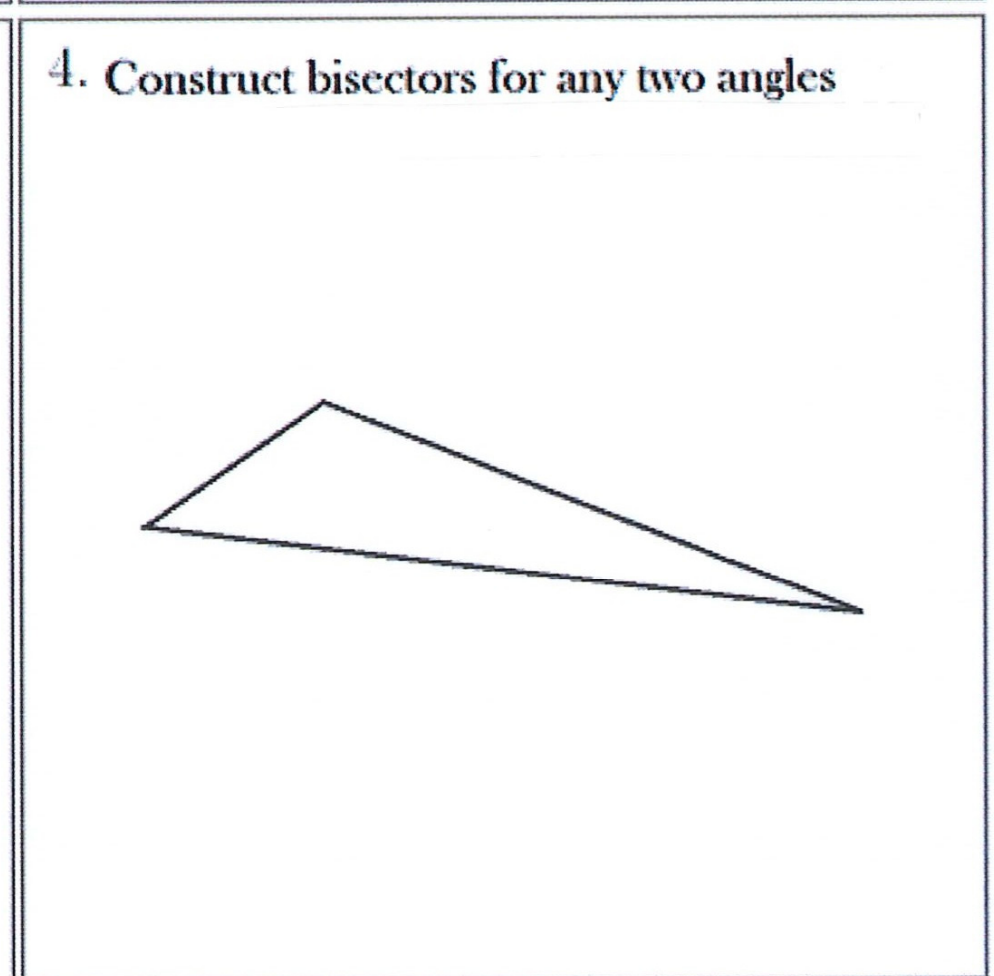
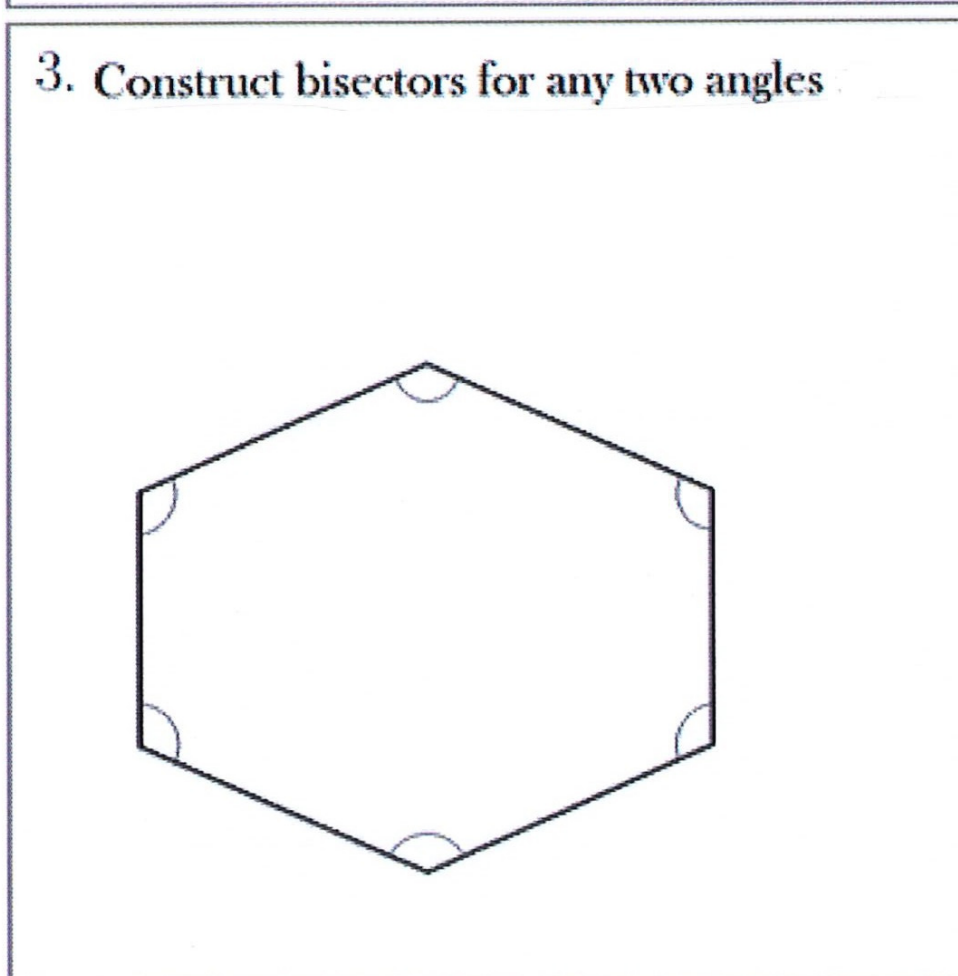
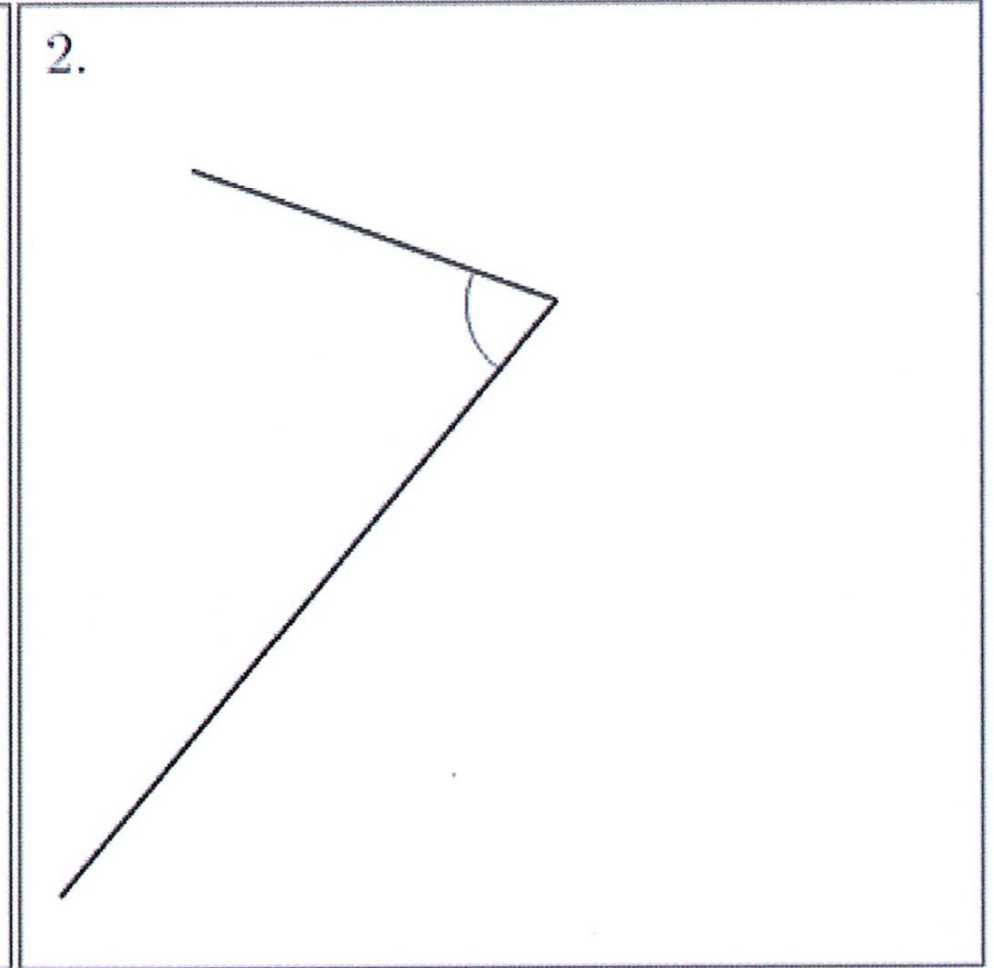
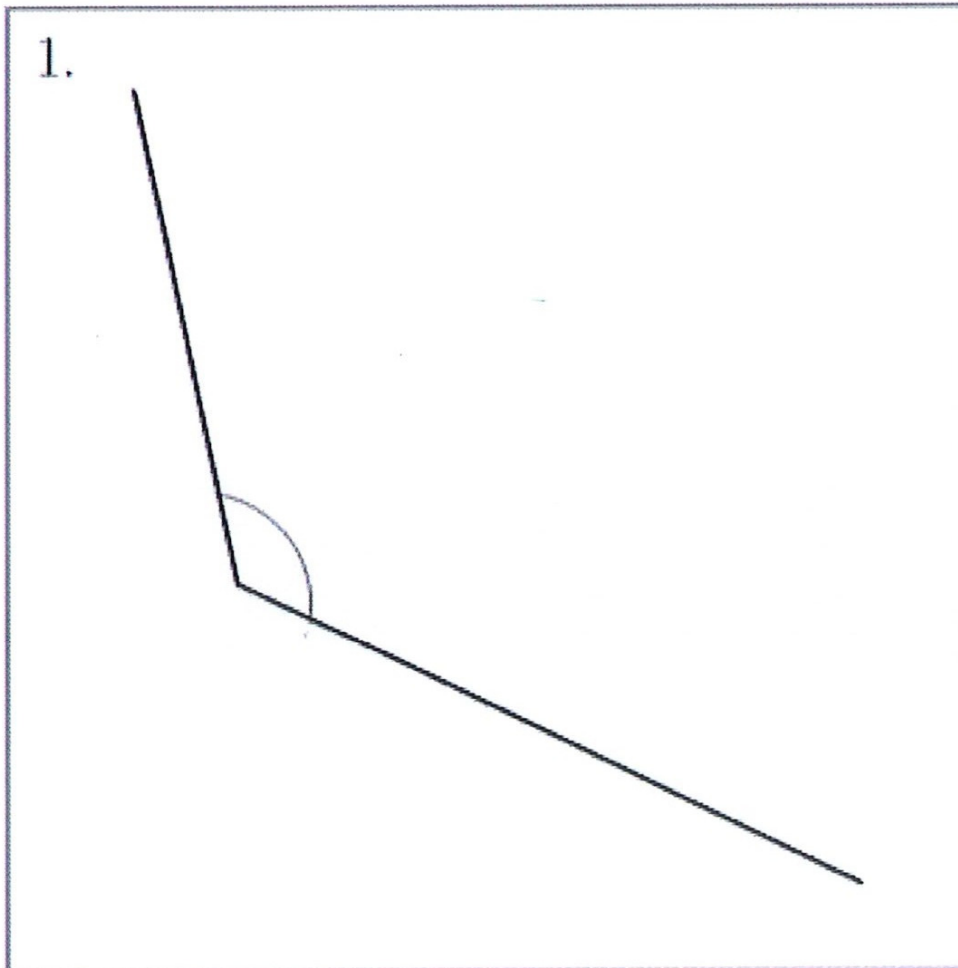


Bisecting Angles

Date:

Name:

Use a compass and straight edge only to bisect the indicated angles below. Leave all construction lines.



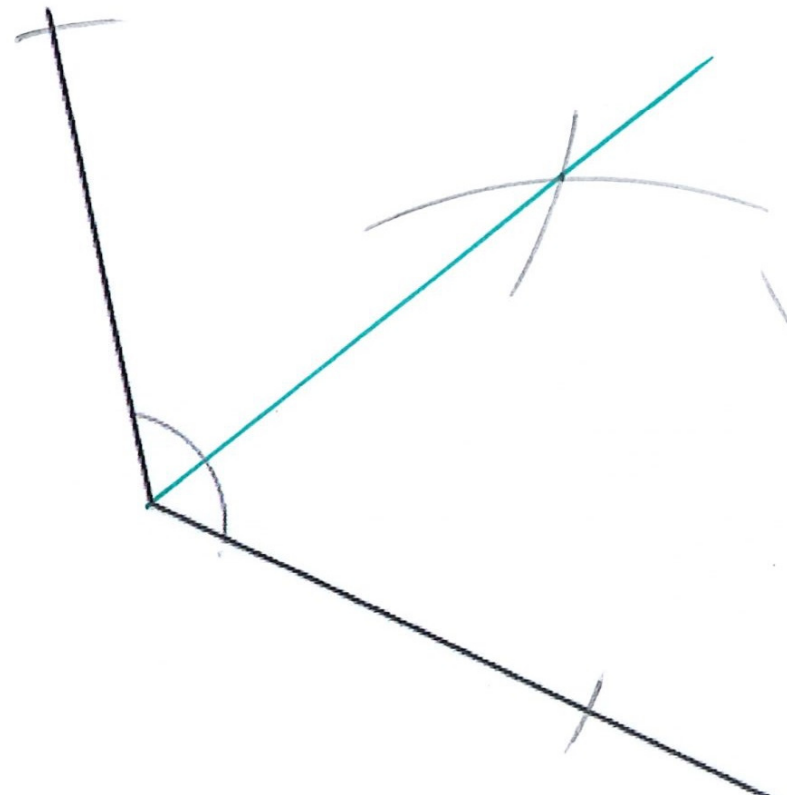
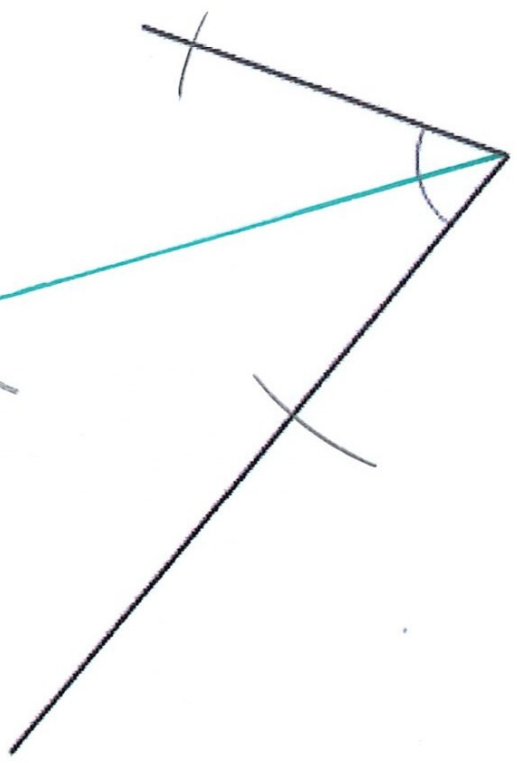
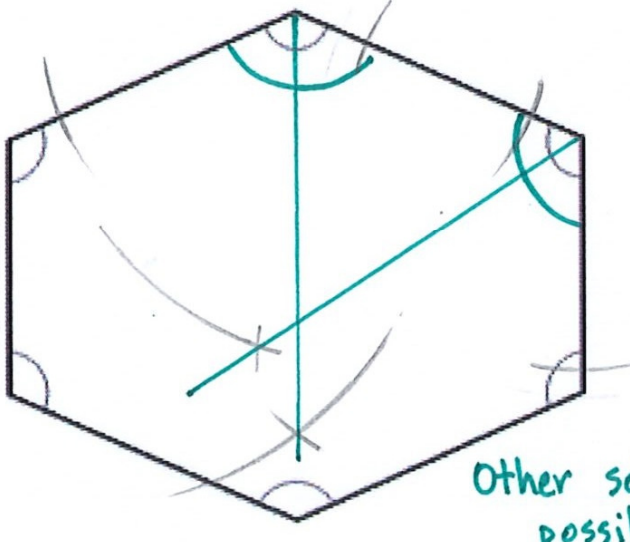
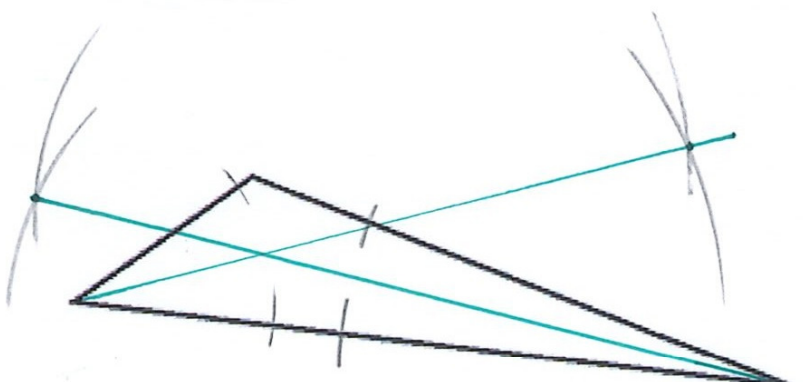
Bisecting Angles

Date:

Name:

Use a compass and straight edge only to bisect the indicated angles below. Leave all construction lines.

SOLUTIONS

<p>1.</p> 	<p>2.</p> 
<p>3. Construct bisectors for any two angles</p>  <p>Other solutions possible</p>	<p>4. Construct bisectors for any two angles so</p>  <p>Other solutions possible</p>