

Perpendicular Bisectors

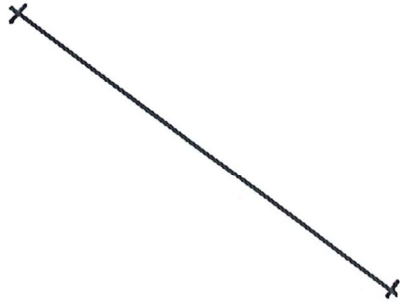
Date:

Name:

Using a compass and straight edge only, construct perpendicular bisectors for each line segment below. Leave all construction lines!

<http://www.learnersgrid.com>

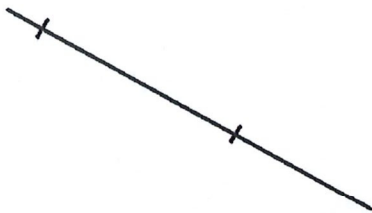
[1]



[2]



[3]



[4]



[5]



[6]



Perpendicular Bisectors

SOLUTIONS

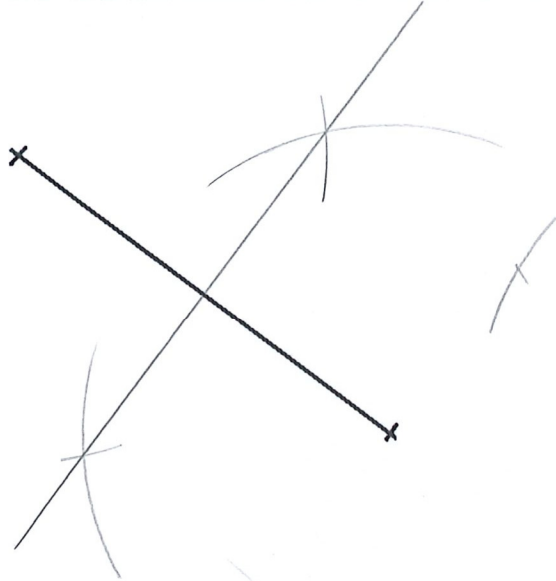
Date:

Name:

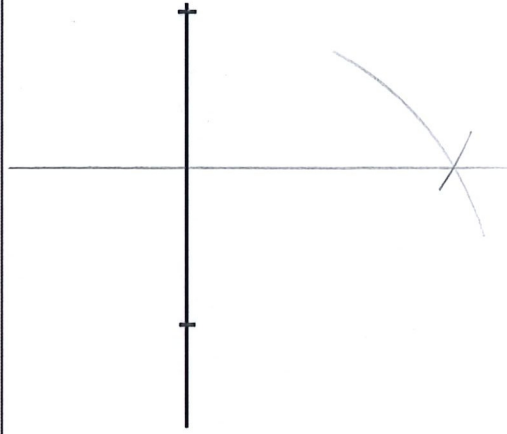
Using a compass and straight edge only, construct perpendicular bisectors for each line segment below. Leave all construction lines!

<http://www.learnersgrid.com>

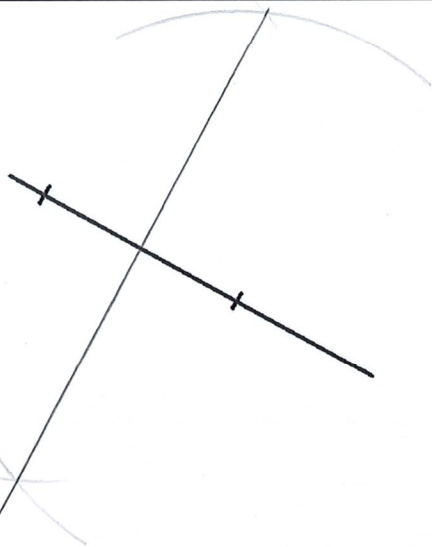
[1]



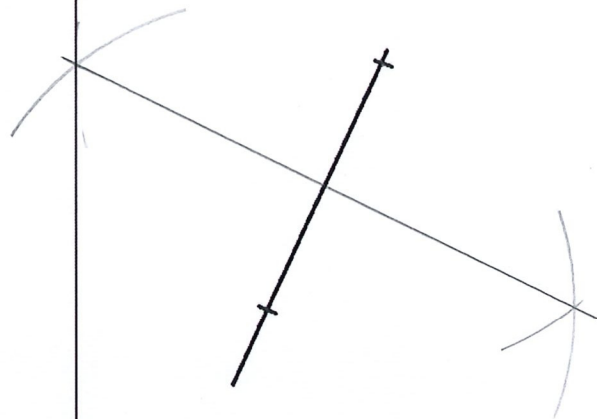
[2]



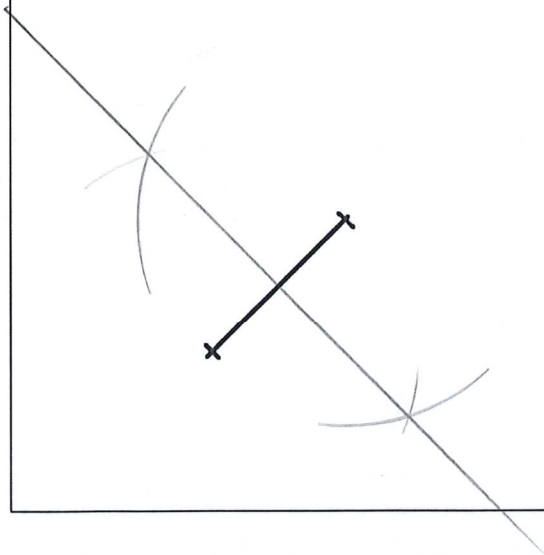
[3]



[4]



[5]



[6]

